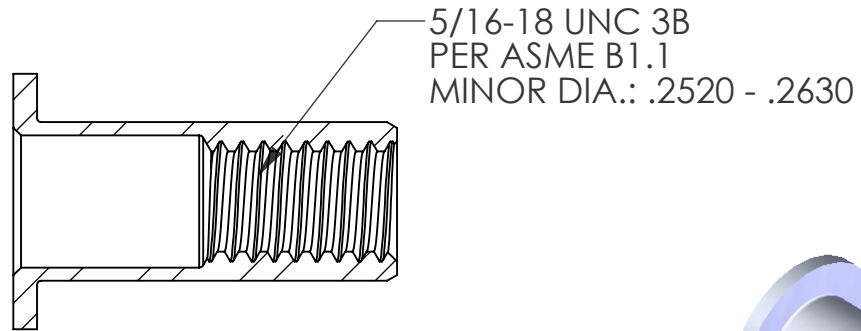
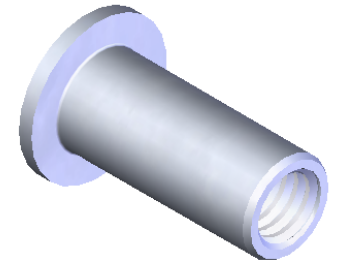


REVISIONS			
REV.	DESCRIPTION	DATE	ECN
A	INITIAL RELEASE	5/8/09	1179
B	UPDATE TO CURRENT FORMAT	7/28/10	1341



SECTION A-A




NOTE:

- GRIP RANGE: .200 - .275
- HOLE SIZE: .413 +.010/-.000 AFTER ALL APPLIED FINISHES.
- INSTALLED LENGTH: .540 REF.
- LUBRICATION: NONE
- INSTALLATION TOOL: SPIN-PULL

**PROPRIETARY AND CONFIDENTIAL**

THIS DRAWING, AND THE INFORMATION CONTAINED HEREIN, ARE THE PROPERTY OF SHEREX AND ARE NOT TO BE USED IN ANY MANNER DETRIMENTAL TO THE INTEREST OF THE COMPANY.  
SHEREX SOLUTIONS RESERVES THE RIGHT TO REVISE PART/DRAWING WITHOUT NOTICE.

		UNLESS OTHERWISE SPECIFIED:	NAME	DATE
		DIMENSIONS ARE IN INCHES TOLERANCES: ANGULAR: MACH ±1 BEND ±1 TWO PLACE DECIMAL ±.01 THREE PLACE DECIMAL ±.002	DRAWN	TWR 5/8/09
		INTERPRET GEOMETRIC TOLERANCING PER: ASME Y14.5M-1994	CHECKED	
		MATERIAL	ENG APPR.	JVK 5/8/09
		430 STAINLESS	MFG APPR.	
		FINISH	Q.A.	JVK 5/8/09
		PASSIVATED	COMMENTS:	
NEXT ASSY	USED ON		E-mail: info@sherex.com	
			www.sherex.com	
			Phone: 866-474-3739	
			Fax: 716-875-0358	
APPLICATION		DO NOT SCALE DRAWING		

		
TITLE:		
FLAT HEAD OPEN END		
SIZE DWG. NO.	REV	
<b>A</b> CA-3118SS-275	B	
SCALE: 2:1	WEIGHT: kg	SHEET 1 OF 1